

Stack Panel Sleek Series Panel

Simplicity with a contemporary edge, the Sleek Series identifies with both modern and classic looks. Bringing together the warmth of western red cedar with a timeless smooth faced surface, Sleek Series is designed to suit any space and leave a lasting impression. Inspired by the appearance of traditional tiles, Sleek Series has a rebate surround which gives the unique shadow lines, creating interest and impact whether installed in the Stackbond or Brickbond format. The sleek effect of these panels is achieved with either horizontal or vertical installations.



Ideal applications:

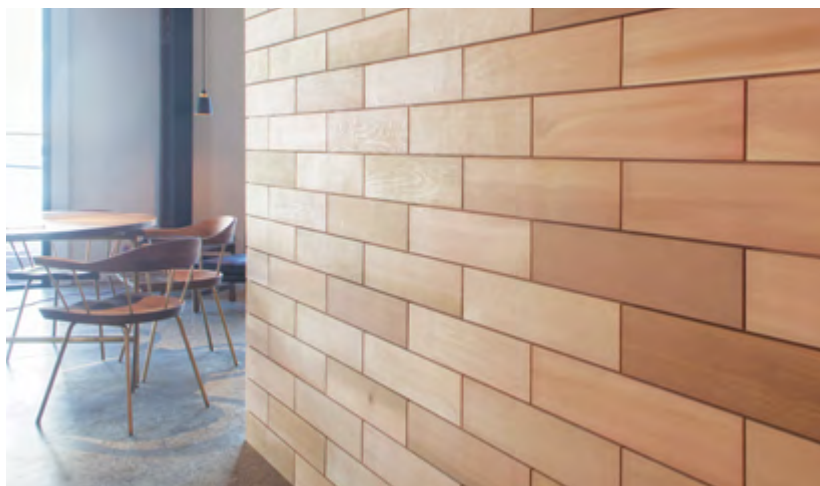
- Commercial foyers / fit outs
- Designer homes / apartments
- Cafés and restaurants
- Feature Walls
- Retail outlets
- Entrances and Stairwells
- Hotels and resorts
- Living areas
- Office fit outs
- Kitchens and Bathrooms
- Boardrooms
- Outdoor living spaces

Key product features:

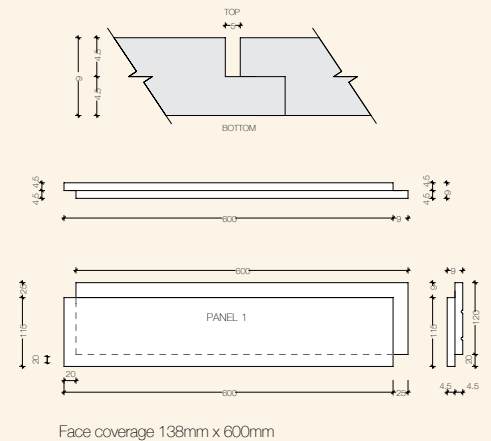
- Quick and easy installation
- Adds warmth and style
- High-end architectural aesthetics
- Raw timber finish creates organic feel
- Stain or coat to any colour finish desired
- GreenTag certified

Stack Panel Sleek Series Panel

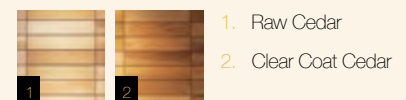
Profile Code	Width (mm)	Length (mm)	Thickness (mm)			
SLK PNL 600 x 138 x 9	600	138	9			



Profiles



Finishes



* Only Raw Cedar is GreenTag Certified

** Colours Shown are approximate only, due to the limitations of colour printing. Please contact us to view actual samples.

Legend

- GreenTag^{Cert}™ (GreenRate Level A Rating)
- GreenTag^{Cert}™ (LCARate Platinum Rating)
- Glue application (internal)

STACK
PANEL



If you're looking to add visual impact and contemporary style to your next project, contact Stack Panel today

Level 6, 10 Herb Elliott Avenue, Sydney Olympic Park NSW 2127

Phone 02 9997 5196 Email info@stackpanel.com.au stackpanel.com.au



STACK
PANEL